



# The Low Capacity Pump

## Alfa Laval FM-OS Centrifugal Pump

### Application

Centrifugal pump FM-OS is designed for use in food, pharmaceutical, chemical and other industries where acid-resistant steel is required.

### Standard design

All product wetted parts, ie. pump casing, impeller and pump shaft, are made of acid-resistant steel 1.4404 (316L). Screws, yoke, nuts and adaptor are made of stainless steel. Seals are made of Nitrile (NBR).

### Shaft seal

Mechanical single or flushed seal with stationary seal ring of acid-resistant steel AISI 329 with sealing surface of silicon carbide and with rotating seal ring of carbon.



### TECHNICAL DATA

#### Motor

Standard foot-flanged motor acc. to IEC metric standard, 2 pol = 3000/3600 rpm. at 50/60 Hz, IP55 (with drain holes with labyrinth plug), insulation class F.

#### Motor size

50 Hz: . . . . . 1.1 kW.  
60 Hz: . . . . . 1.3 kW.

### OPERATING DATA

#### Pressure

Max. inlet pressure: . . . . . 400kPa (4 bar).  
Max. outlet pressure: . . . . . 700kPa (7 bar).  
Max. water pressure, (flushed seal): . . Normally atmospheric  
(max. 1 bar)

#### Temperature

Temperature range: . . . . . -10°C to +140°C (EPDM).

#### Water consumption

Flushed seal: . . . . . 0.25 - 0.5 l/min.

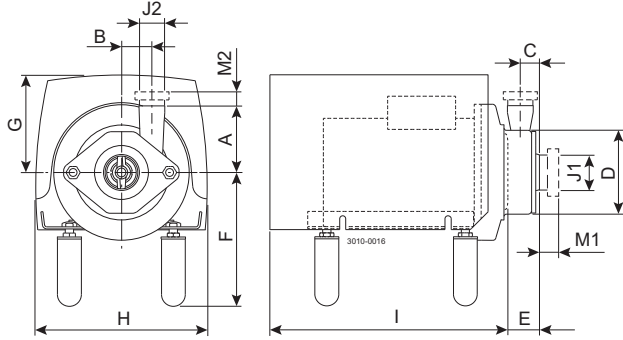
#### Impeller diameter

Impeller diameter: . . . . . 115 mm.

#### Weight

Weight: . . . . . 20 kg.

**Dimensions (mm)**



**Options**

- A. Impeller with reduced diameter.
- B. Flushed shaft seal.
- C. Other voltage, frequency or flameproof motor.
- D. Inlet and outlet with flanges.
- E. Counter flanges, collars and seal rings.
- F. Product wetted seals of EPDM, Fluorinated Rubber (FPM) or Teflon (PTFE).
- G. Rotating seal ring of Silicon Carbide.

**Pump specific measures**

Pump Model	FM0S
A	98
B	45
C	28
D	140
E	54

**Motor specific measures**

Motor IEC	IEC80
Motor kW	1.1
F(max)*	212
G	144
H	252
I	341

\*Possible to reduce dimension F by min. 30 mm for all pump models.

**Motor overview**

Pump Model	FM0S
Motor range (IEC)	IEC80

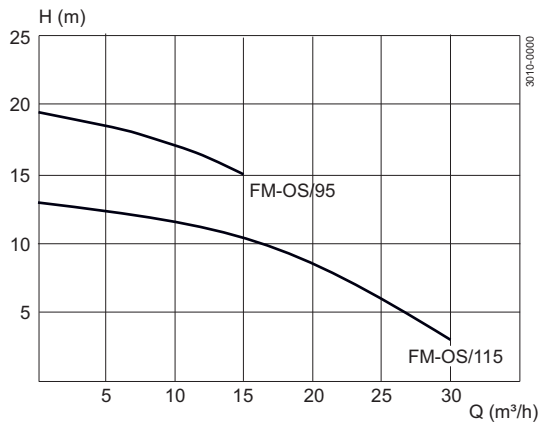
Dimensional data are based on 2 pole, ABB motors.

**Connections**

Pump Model		FM0S
Clamp ISO 2037	M1	21
	M2	21
Union ISO(IDF)	M1	21
	M2	21
Union DIN/ISO	M1	22
	M2	22
Union SMS	M1	20
	M2	20
Union (BS)RJT	M1	22
	M2	22
J1*		51 / 2"
J2*		51 / 2"

\* Other dimensions available on request.

## Volumetric flow



## Ordering

Please state the following when ordering:

- Pump type.
- Voltage and frequency.
- Flow rate, pressure and temperature.
- Density and viscosity of product.
- Options.

## NOTE!

For further details, see also instruction IM 70344.

Inlet and outlet: 51 mm

Alfa Laval reserves the right to change specifications without prior notification. ALFA LAVAL is a trademark registered and owned by Alfa Laval Corporate AB.

ESE00271EN 1512

© Alfa Laval

---

**How to contact Alfa Laval**

Contact details for all countries are continually updated on our website. Please visit [www.alfalaval.com](http://www.alfalaval.com) to access the information direct.