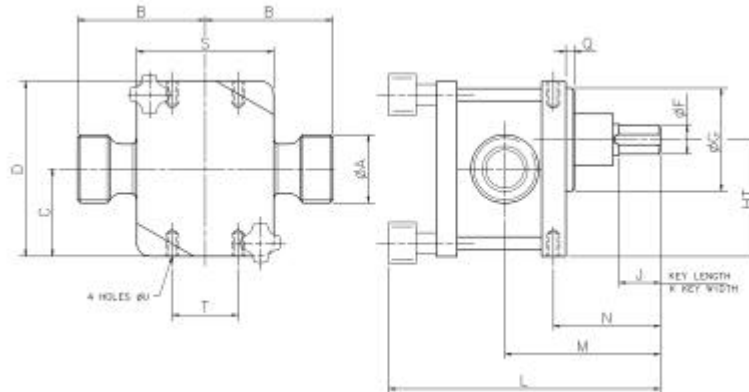




## Series M Pump Dimensions

### Bare Shaft Pump



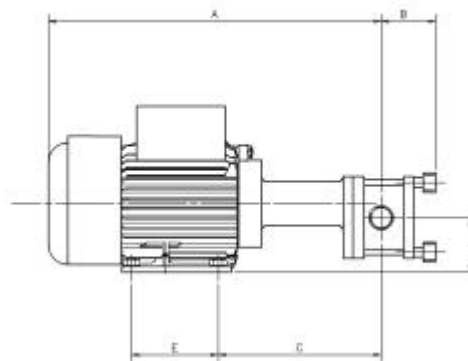
#### Dimensions in mm

Pump Model	A	BSPT, IAMD/3A, NPT	BSP, ISS/IDF, RJT, SMS, Tri-clamp	B		C	D	F	G	HT	J	K	L	M	N	Q	S	T	U
				DIN	½ in BSP female														
M2-000S-H07	25	60	62	66	55	42.3	85	14	50	57	20	5	132	75.5	52	3	66	32	6
M2-000M-H07	25	60	62	66	55	42.3	85	14	50	57	20	5	132	75.5	52	3	66	32	6
M2-000L-H04	25	60	62	66	55	42.3	85	14	50	57	20	5	159	95	52	3	66	32	6

#### Dimensions in inches

Pump Model	A	BSPT, IAMD/3A, NPT	BSP, ISS/IDF, RJT, SMS, Tri-clamp	B		C	D	F	G	HT	J	K	L	M	N	Q	S	T	U
				DIN	½ in BSP female														
M2-000S-H07	1.00	2.36	2.44	2.56	2.17	1.67	3.35	0.55	1.97	2.24	0.79	0.20	5.20	2.97	2.05	0.12	2.60	1.26	0.24
M2-000M-H07	1.00	2.36	2.44	2.56	2.17	1.67	3.35	0.55	1.97	2.24	0.79	0.20	5.20	2.97	2.05	0.12	2.60	1.26	0.24
M2-000L-H04	1.00	2.36	2.44	2.56	2.17	1.67	3.35	0.55	1.97	2.24	0.79	0.20	6.26	3.74	2.05	0.12	2.60	1.26	0.24

### Motorised Pump



#### Dimensions in mm

Pump Model	A	B	C	D	E
M2-000S-H07	345	56.5	169	56.3	90
M2-000M-H07	345	56.5	169	56.3	90
M2-000L-H04	345	68	182	56.3	90

#### Dimensions in inches

Pump Model	A	B	C	D	E
M2-000S-H07	13.58	2.22	6.65	2.22	3.54
M2-000M-H07	13.58	2.22	6.65	2.22	3.54
M2-000L-H04	13.58	2.68	7.17	2.22	3.54

Represented By:

**KGO Group Ltd.**  
www.kgogroup.com

1200 Speers Rd., #52  
Oakville, ON  
Canada L6L 2X4

*The information contained herein is correct at the time of issue, but may be subject to change without prior notice*