

Piston pumps (grease)

Series FK - electric drive



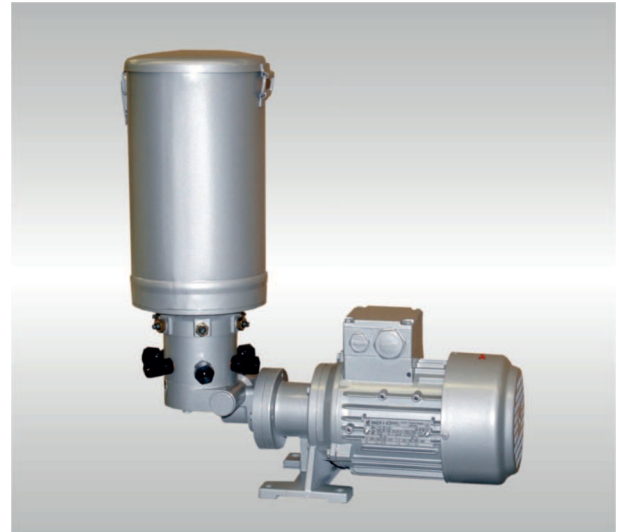
FKMS with motor (400 V AC 3~)

Grease lubrication pumps

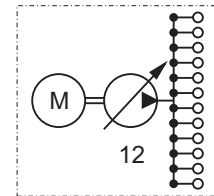
Technical data

Pump

Output rate per stroke (= 1 pump revolution) and outlet: max. 0,1 cm³
 Regulation: 1 - 6 outlets individual
 7 - 12 outlets in pairs
 Reservoir content: 1 / 1,5 / 2 / 4 kg
 Reservoir material: steel
 Operating pressure: max. 50 bar
 Lubricant: greases up to NLGI-cl. 2
 (grease with solid contents only on demand)
 Operating temperature: -20 to 70 °C
 (depends on lubricant)
 No. of outlet: max. 12
 Outlet type: male stud coupling (GE)
 see order key
 Sense of rotation: see drawing
 Installation position: as displayed
 Weight: max. 11,4 kg (without grease filling)



Symbol



Pump speed

depends on reduction
 = speed of motor : pump reduction
 e.g.: 1420 r.p.m. : 150 = 9,5 r.p.m.

Motor

Drive: three phase current motor
 Power: 0,25 kW
 Operating voltage: 200-240 / 346-420 V, 50 Hz
 220-280 / 380-480 V, 60 Hz
 Speed: 1420 / 1700 rev/min
 Type: B 14
 ISO-class: F
 Protection class: IP 55

Reduction	Output rate max. (cm ³ /h) u. outlet
84:1	93,0
150:1	52,0
300:1	26,0
400:1	21,5
600:1	13,0
1200:1	6,5

Order key type-no. 2008

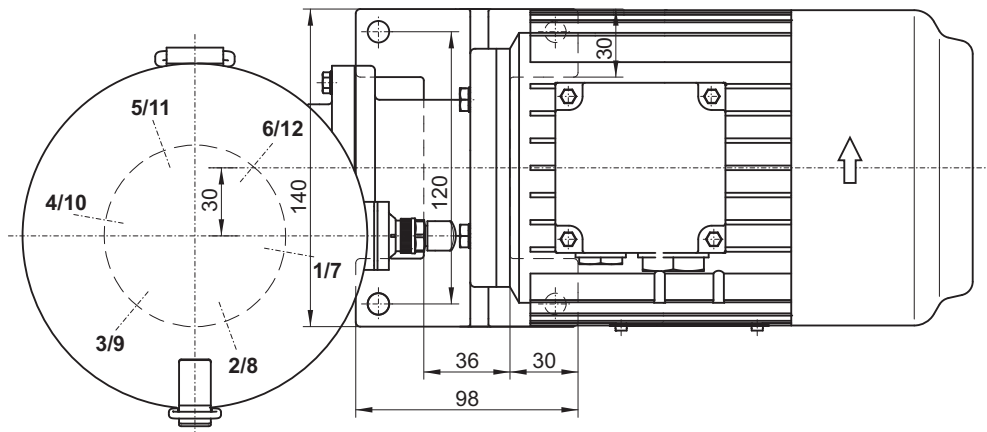
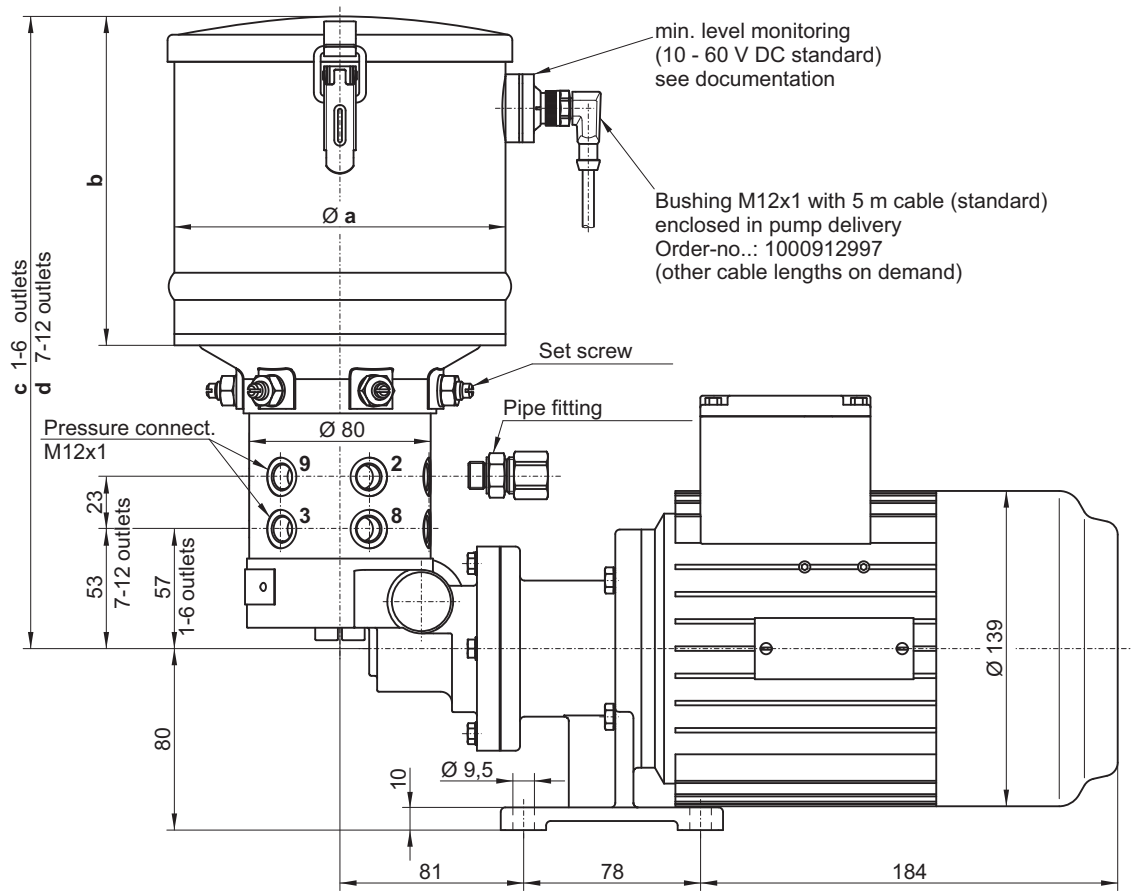
2008 02 06 03 000

Type number	2008											
Code	2008											
Reduction	84:1	150:1	300:1	400:1	600:1	1200:1						
Code	01	02	03	04	05	06						
Pressure connection	No. of outlet											
Outlet type	1	2	3	4	5	6	7	8	9	10	11	12
GE pipe Ø 6 mm	01	02	03	04	05	06	07	08	09	10	11	12
GE pipe Ø 8 mm	21	22	23	24	25	26	27	28	29	30	31	32
GE pipe Ø 10 mm	41	42	43	44	45	46	47	48	49	50	51	52
Thread M12x1 (at version "without")	61	62	63	64	65	66	67	68	69	70	71	72
Reservoir content (kg)				1	1,5			2		4		
Sense of rot. right	without FÜ*				01	02			03		04	
Sense of rot. right	with FÜ* (M12x1 standard)				-	C0			C1		C2	
Sense of rot. right	with FÜ* (cubic plug acc. DIN 43650)				-	22			23		24	
Special model												

* FÜ = Füllstandsüberwachung (min.) = min. level monitoring

© BEKA 2014 All rights reserved!

Subject to alterations!



Reservoir content (kg)	Dimensions (mm)			
	a	b	c	d
1,0	124	115	229	242
1,5	124	165	279	292
2,0	146	145	262	275
4,0	146	265	382	395