

VERTICAL PUMP WITH IMMERSED BODY > 0,3 BAR
PUMP BODY IN POLYPROPYLENE
ASYNCHRONOUS MOTOR

APPLICATIONS :

- Ophthalmologic laboratory
- Ice generators
- Dental machines

TECHNICAL FEATURES :

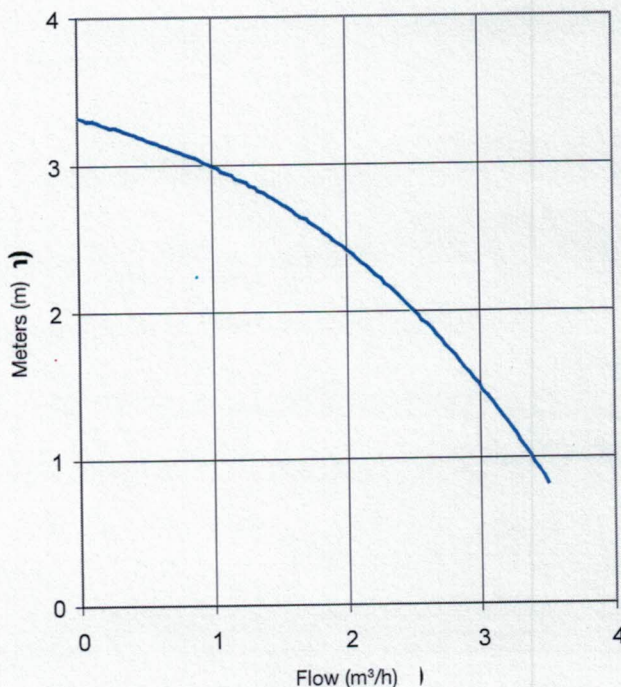
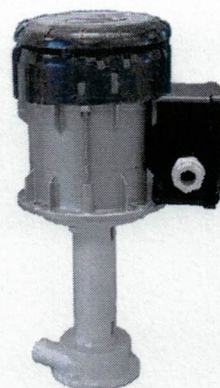
- Asynchronous motor
- Pump body in polypropylene
- Nitril mechanical seal
- Deflector (motor protection in case of leak)
- Single or three phase motor
- Immersed length : 153 mm
- Class B insulation
- IP44 protection
- Operating temperature : -5°C to +90°C

OPTIONS AVAILABLE ON DEMAND :

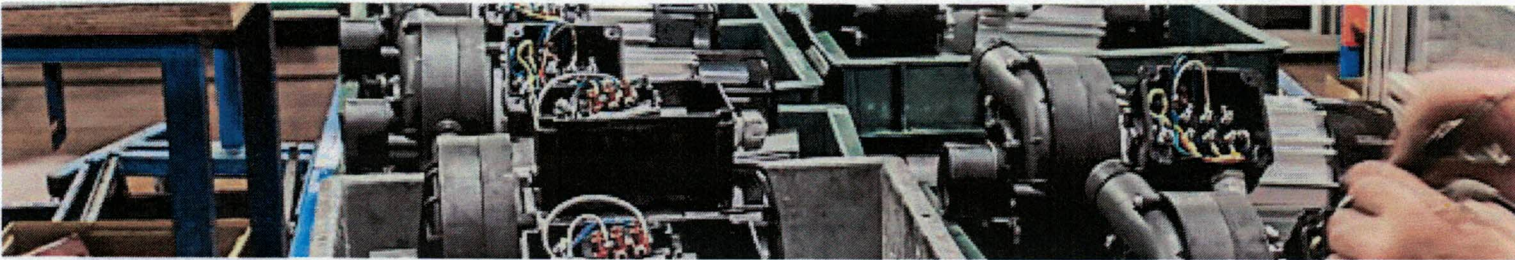
- Voltages and frequencies
- Classe F insulation
- IP55 protection
- Stainless steel screws assembly
- Other immersed length
- Motor housing with anti-corrosion protection

COMPLY WITH STANDARDS :

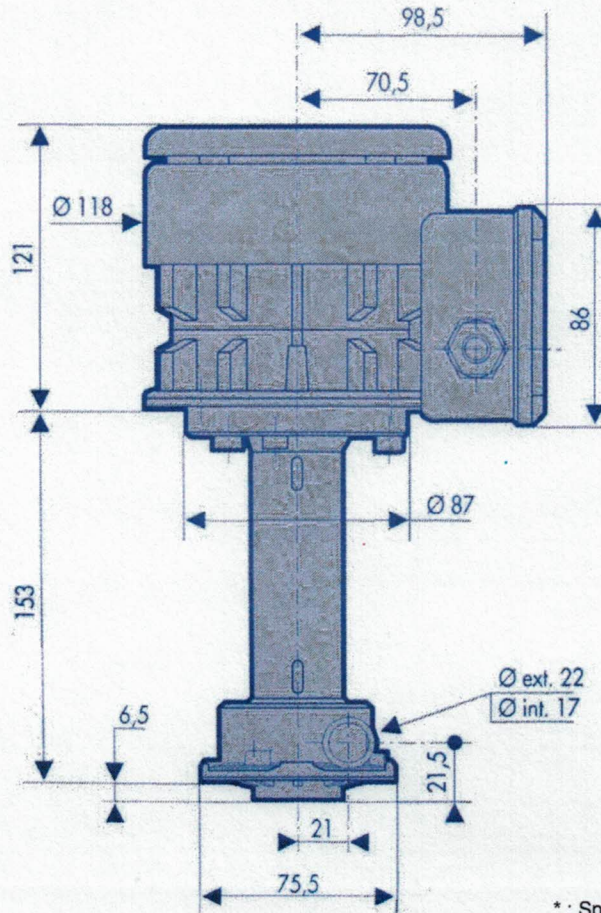
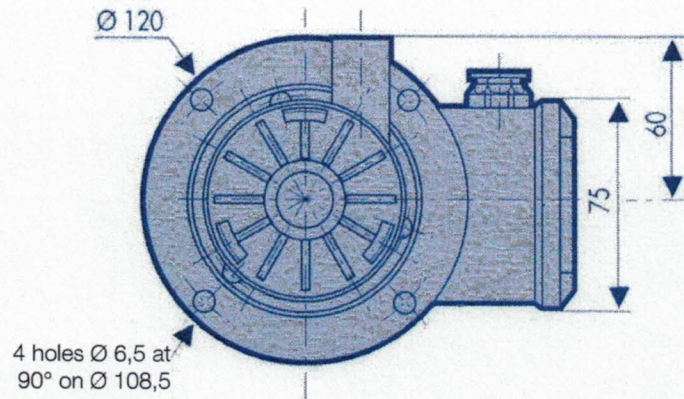
- EN 60335-1
- EN 60335-2-41



Type	Designation	Inlet power (W)	Outlet power (W)	Power supply 230V - A	Cos φ	Weight (Kg)
Single phase 230V- 50hz	PB 1C 225 JB	162	85	0.71	0.99	2.6
Three phase 230/400V - 50 Hz	PB 3 225 JB	129	66	0.41	0.79	2.6



DIMENSIONS



* : Specific length on demand (max : 300mm)
** : max. 24mm