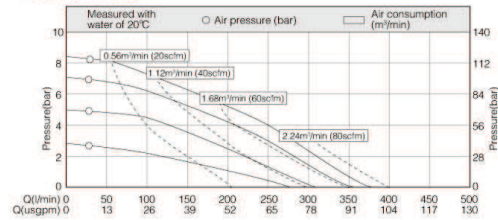




## MORAK MK40 Plastic pump

Performance curve



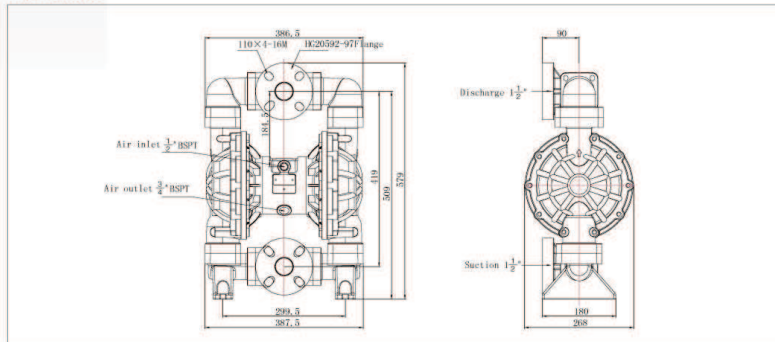
**Technical parameters**

Suction lift[mwc]	dry	5
	wet	8
Max particle diameter[mm]		5
Suction and discharge size[in]		1 1/2
Air inlet size[in]		1/2
Max flow[l/min]		358
Max head[m]		84
Max air inlet pressure[bar]		8.4

**Wetted body material**

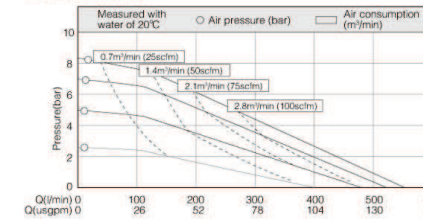
PP, POM, PVDF  
Different materials, the performance will be slightly different

Installation size



## MORAK MK50 Metal pump

Performance curve



**Technical parameters**

Suction lift[mwc]	dry	5
	wet	8
Max particle diameter[mm]		6
Suction and discharge size[in]		2
Air inlet size[in]		1/2
Max flow[l/min]		587
Max head[m]		84
Max air inlet pressure[bar]		8.4

**Wetted body material**

AL, SS, LL, CS  
Different materials, the performance will be slightly different

Installation size

